

SNP20-VF/SNP20-IF



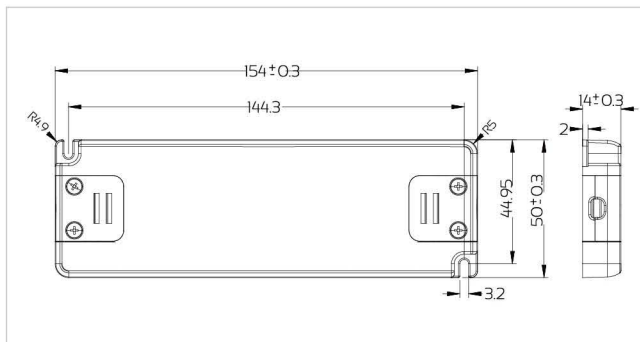
Super thin 1.4 mm
Thickness only

Reliable Technical Data

- Rated Input Voltage:200-240VAC
 - Input Frequency:50/60Hz
 - Output Power:20W
 - Body: PC
 - Open Circuit; Short Circuit; Over Load;
 - Over Heat Protection
-
- Safety According to EN61347-1, EN61347-2-13
 - EMI According to EN55015
 - EMS According to EN61000-3-2; EN61000-3-3; EN61547
 - EMF According to EN62493-2010
 - ERP According to EN1194-2012



Dimension in mm



Characteristics

Rated input voltage: AC200-240V 50/60Hz (power factor measured at AC230V and full load)

Model No.	Constant output voltage	Load	Max output current	PF	Ta	Tc	L x W x H
SNP20-12VF	12V	0-20W	1.67A	≥0.5	45°C	80°C	154x50x14
SNP20-24VF	24V	0-20W	0.84A	≥0.5	45°C	80°C	154x50x14

Model No.	Constant output current	Load	Max output voltage	PF	Ta	Tc	L x W x H
SNP20-350IF	350mA	10.5-19.6W	56VDC	≥0.5	45°C	80°C	154x50x14
SNP20-500IF	500mA	11-20W	40VDC	≥0.5	45°C	80°C	154x50x14
SNP20-700IF	700mA	9.8-20.3W	29VDC	≥0.5	45°C	80°C	154x50x14



SNP20-VF-E

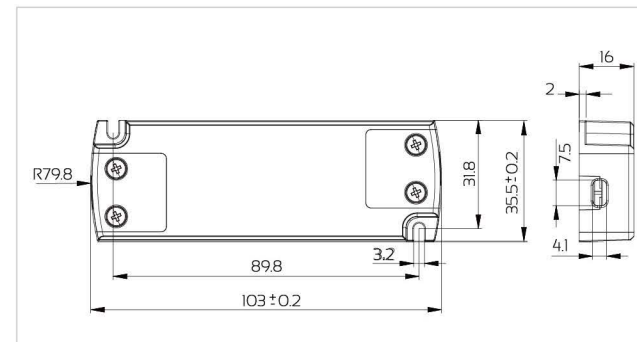


Reliable Technical Data

- Rated Input Voltage:200-240VAC
 - Input Frequency:50/60Hz
 - Output Power:20W
 - Body: PC
 - Open Circuit; Short Circuit; Over Load;
 - Over Heat Protection
-
- Safety According to EN61347-1, EN61347-2-13
 - EMI According to EN55015
 - EMS According to EN61000-3-2; EN61000-3-3; EN61547
 - EMF According to EN62493-2010
 - ERP According to EN1194-2012



Dimension in mm



Characteristics

Rated input voltage: AC200-240V 50/60Hz (power factor measured at AC230V and full load)

Model No.	Constant output voltage	Load	Max output current	PF	Ta	Tc	L x W x H
SNP20-12VF-E	12V	0-20W	1.67A	≥0.5	45°C	80°C	103x35x16
SNP20-24VF-E	24V	0-20W	0.84A	≥0.5	45°C	80°C	103x35x16

