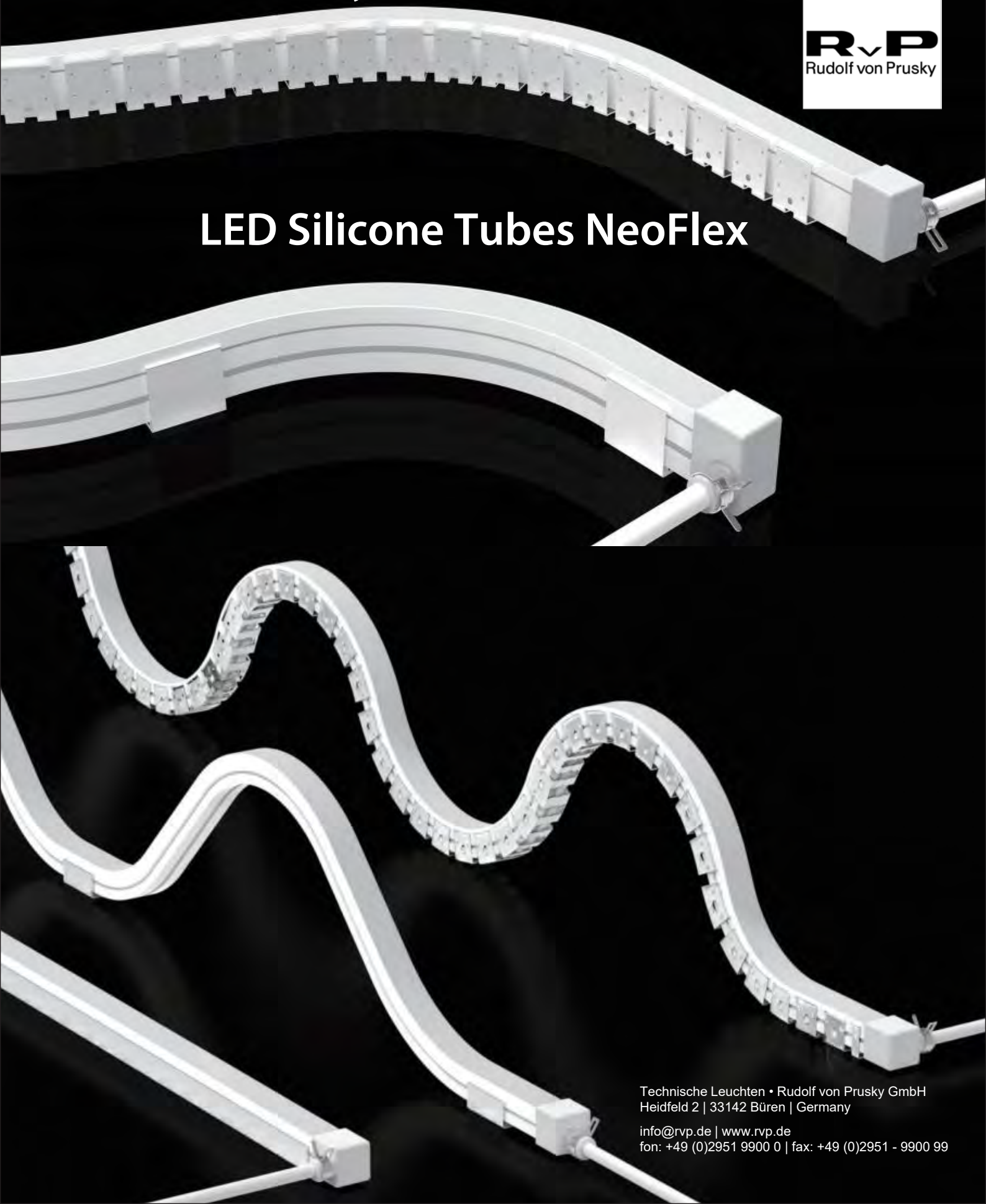




LED Silicone Tubes NeoFlex

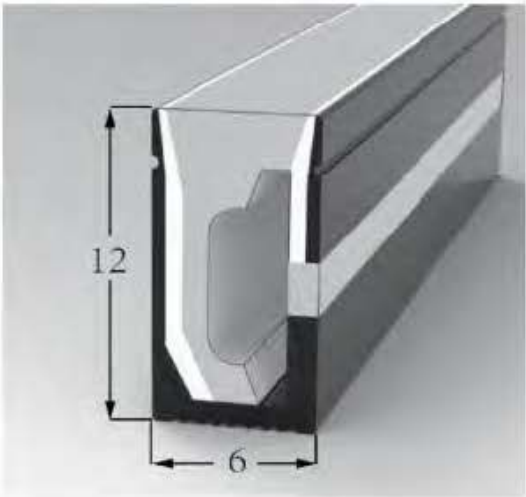


Application scenarios:



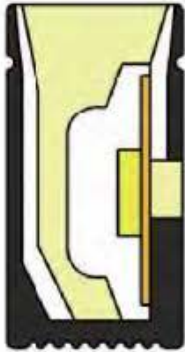


RvP article: 94S0612020 - NeoFlex Side View 3 Sides Black



Mounting: Recessed / Surface

PCB Width(mm)	8
Weight(g/m)	69
Section size(mm)	6*12
Beam angle	120°



Lighting Direction: Side Lighting

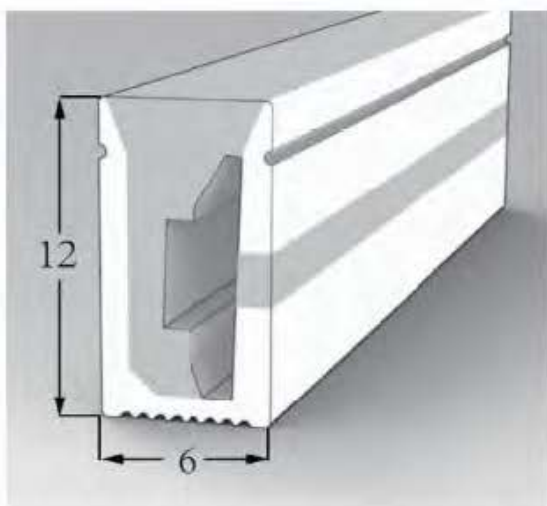
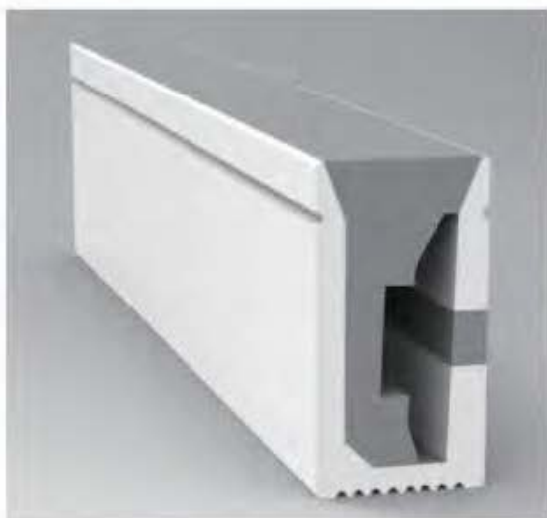


RvP article: 94E0612020
 End cap with hole (straight)
 End cap no hole



RvP article: 94C0612120
 Mounting clip

RvP article: 94S0612010 - NeoFlex Side view series



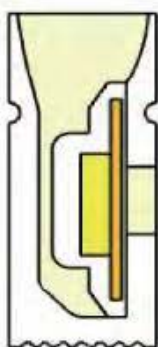
Mounting: Recessed / Surface

PCB Width (mm) 8

Weight (g/m) 71

Section size (mm) 6*12

Beam angle 120°



Lighting Direction: Side Lighting

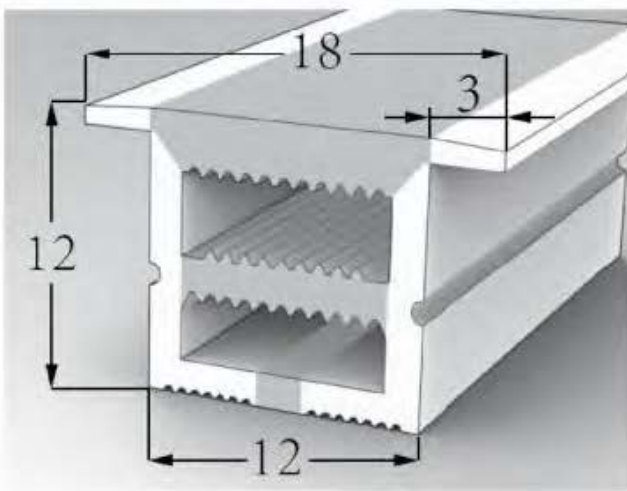
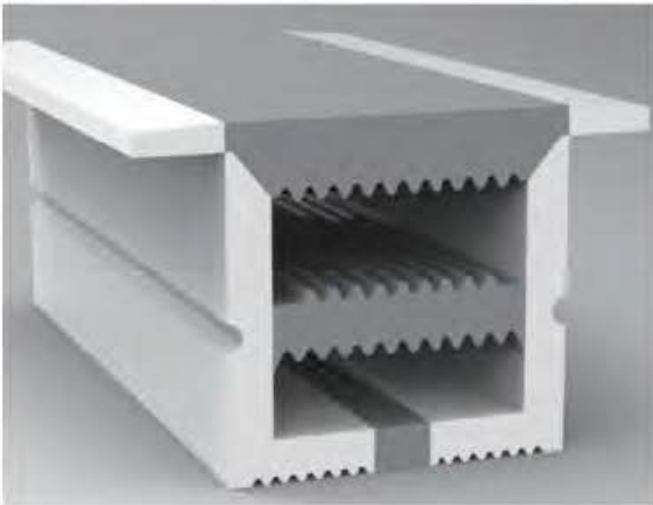


RvP article: 94E0612010
End cap with hole (straight / side)
End cap no hole



RvP article: 94C0612120
Mounting clip

RvP article: 94S1212WW1010 - NeoFlex Top View with white wings



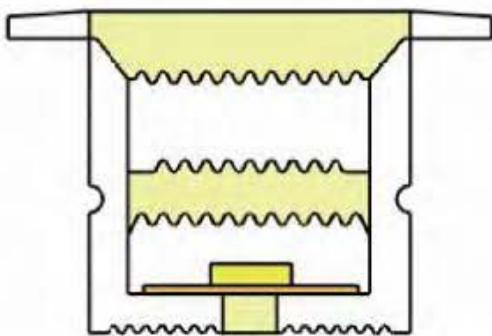
Mounting: Recessed

PCB Width(mm) 8

Weight(g/m) 126

Section size(mm) 12*11

Beam angle 120°

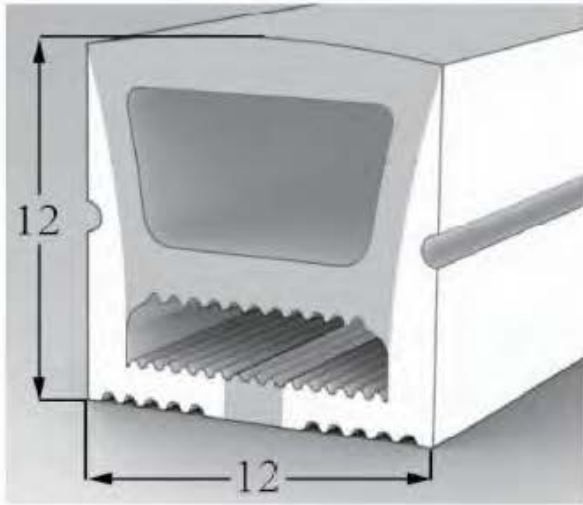


Lighting Dairrection: Top Lighting



RvP article: 94E1212WW1010
 End cap with hole (straight / side / bottom)
 End cap no hole

RvP article: 94S1212A010 - NeoFlex TOP View series A



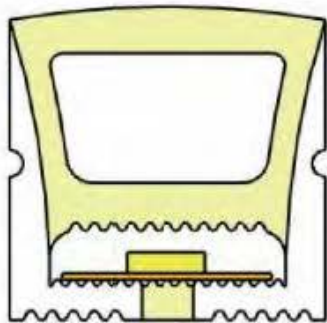
Mounting: Recessed / Surface

PCB Width(mm) 8

Weight(g/m) 111

Section size(mm) 12*12

Beam angle 120°

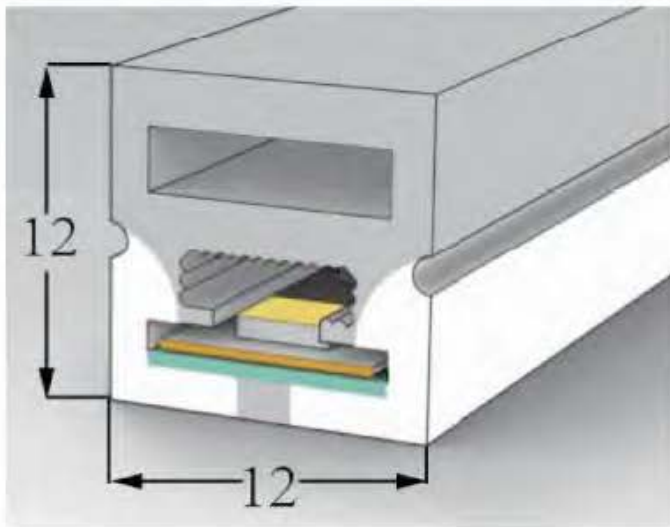
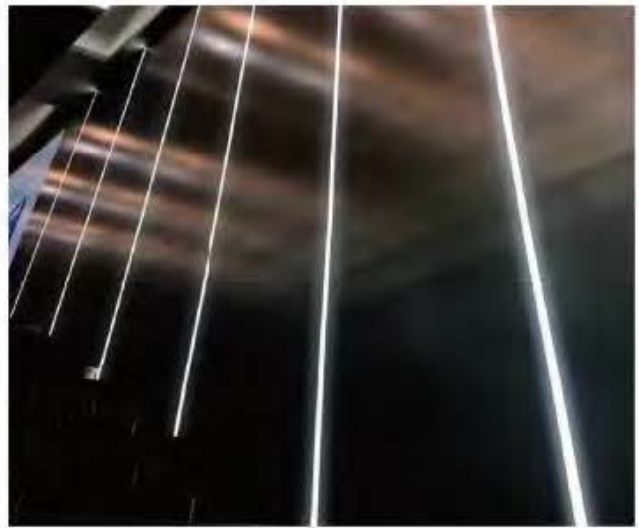
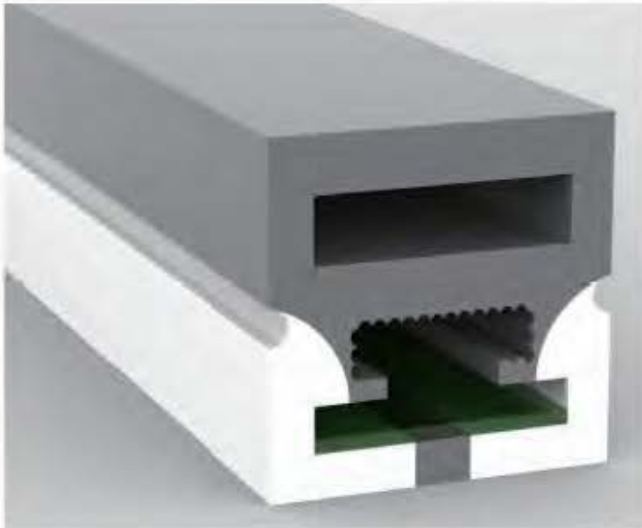


RvP article: 94E1212A010
 End cap with hole (straight / side / bottom)
 End cap no hole



RvP article: 94C1212A120
 Mounting clip

RvP article: 94S1212D010 - NeoFlex TOP View series D
with anti break plate



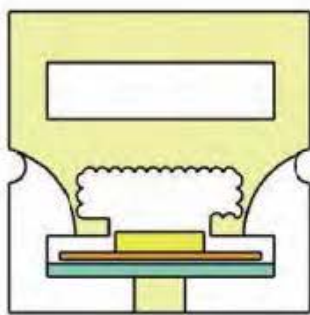
Mounting: Semi-Recessed / Surface

PCB Width(mm) 8

Weight(g/m) 134

Section size(mm) 12*12

Beam angle 180°

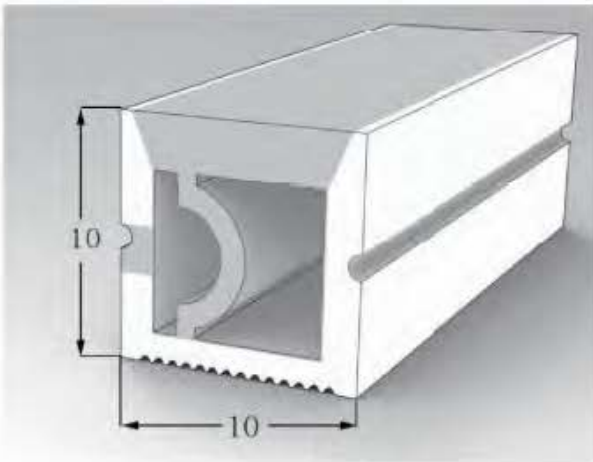
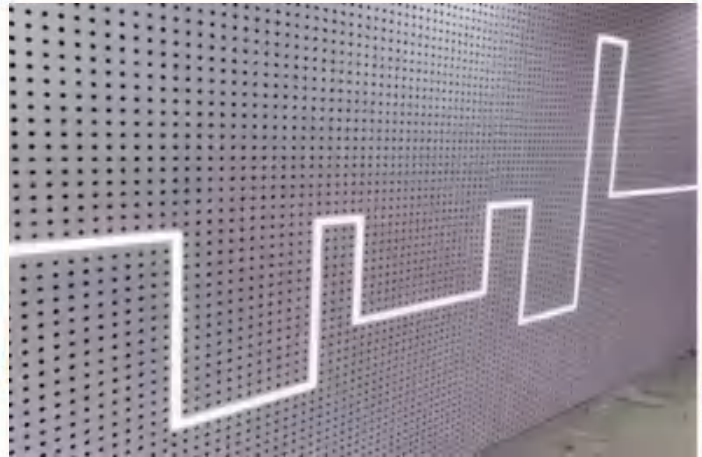


Lighting Direction: 3 sides Top Lighting



RvP article: 94E1212D010
End cap with hole (straight / side / bottom)
End cap no hole

RvP article: 94S1010010 - NeoFlex Side view series



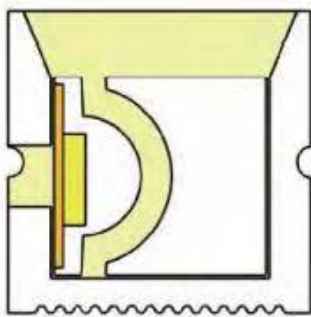
Mounting: Recessed

PCB Width (mm) 5

Weight (g/m) 84

Section size (mm) 10*10

Beam angle 120°



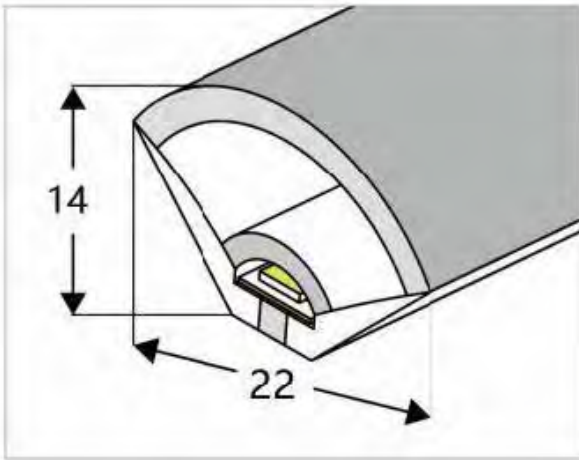
Lighting Direction: Side Lighting



RvP article: 94E1010010
 End cap with hole (straight / side / bottom)
 End cap no hole

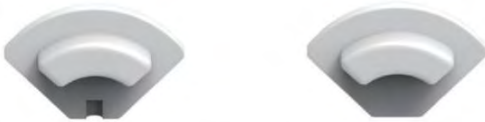
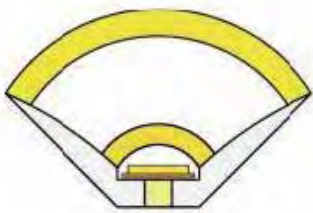
RvP article: 94C1010120
 Mounting clip

RvP article: 94SSV2214010 - NeoFlex Side view series Corner series



Mounting: Surface

PCB Width(mm)	5
Weight(g/m)	168
Section size(mm)	22*14
Beam angle	180°

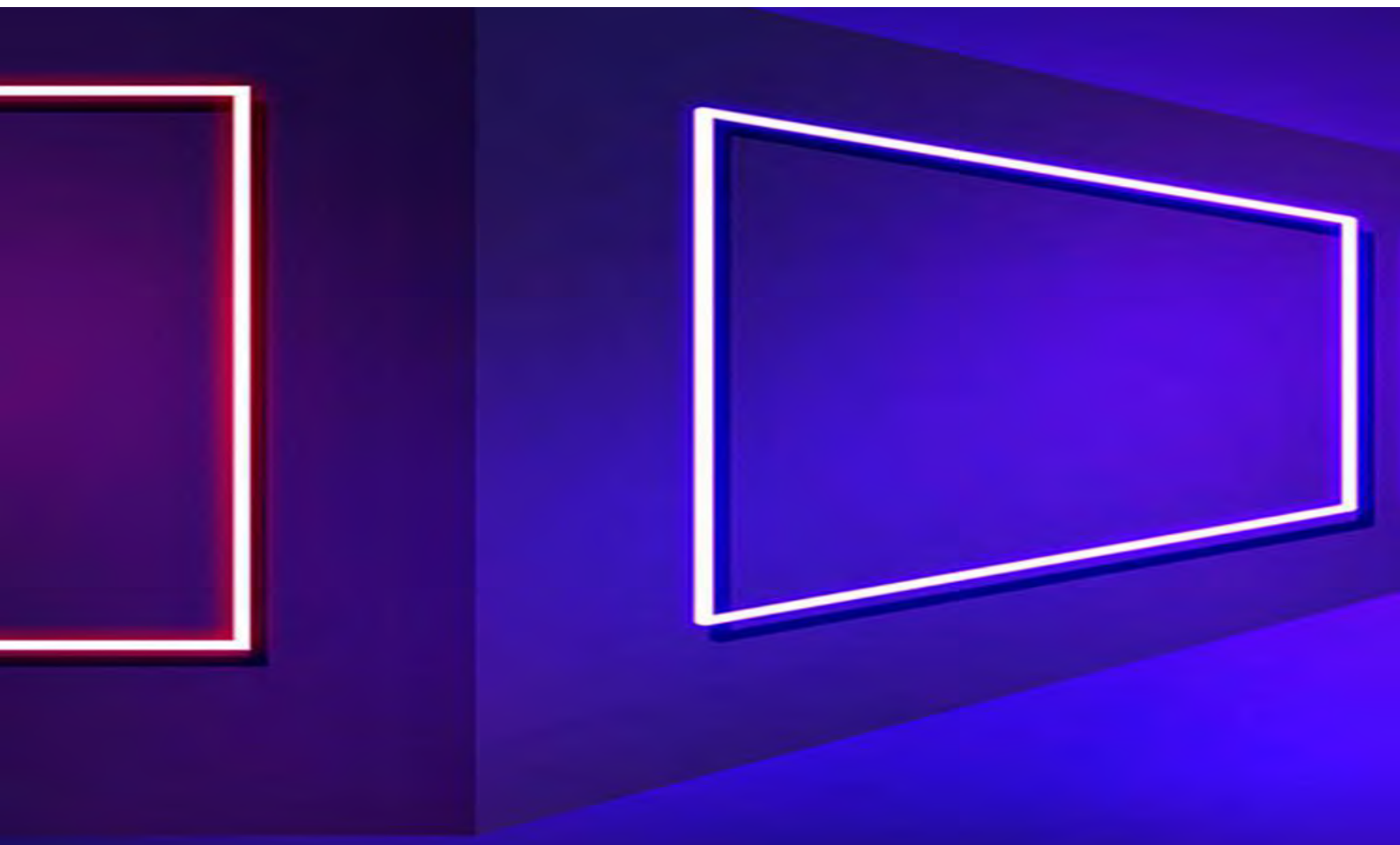


RvP article: 94ESV2214010
End cap with hole (straight)
End cap no hole



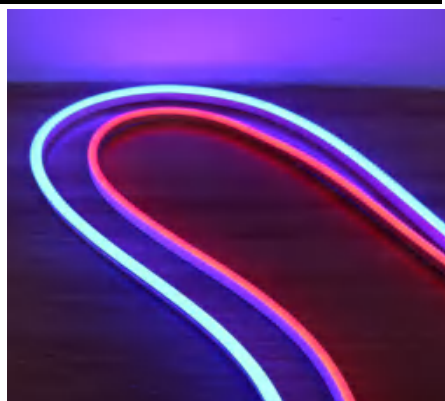
RvP article: 94CSV221401120
Mounting clip

Application scenarios

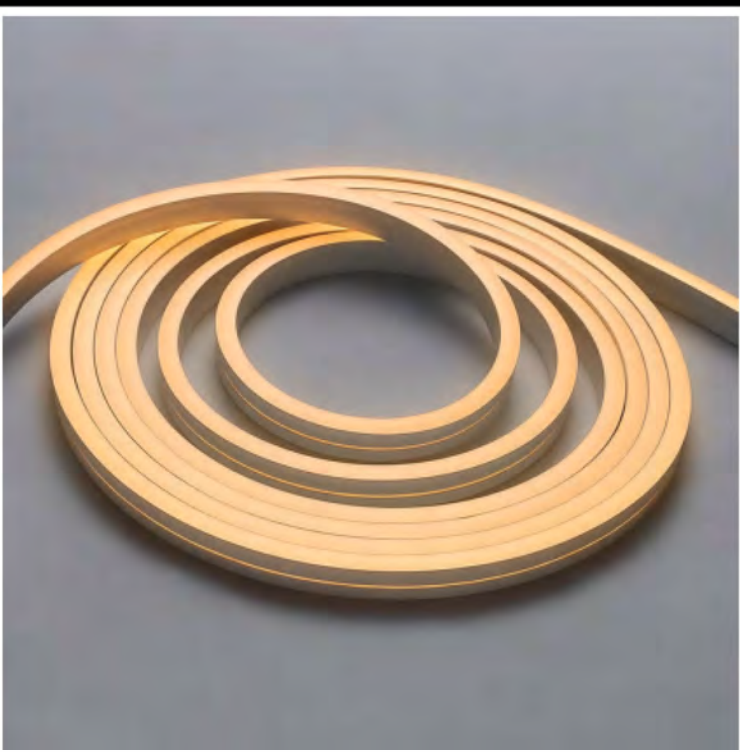




Actual pictures









**Technische Leuchten
Rudolf von Prusky GmbH**

Heidfeld 2
D-33142 Büren

Phone: +49 (0)2951 9900-0
Fax: +49 (0)2951 9900-99
E-Mail: info@rvp.de
Internet: <https://www.rvp.de>

RvP Technische Leuchten is a company of:
Rudolf von Prusky GmbH
Goethestraße 8
D-33330 Gütersloh